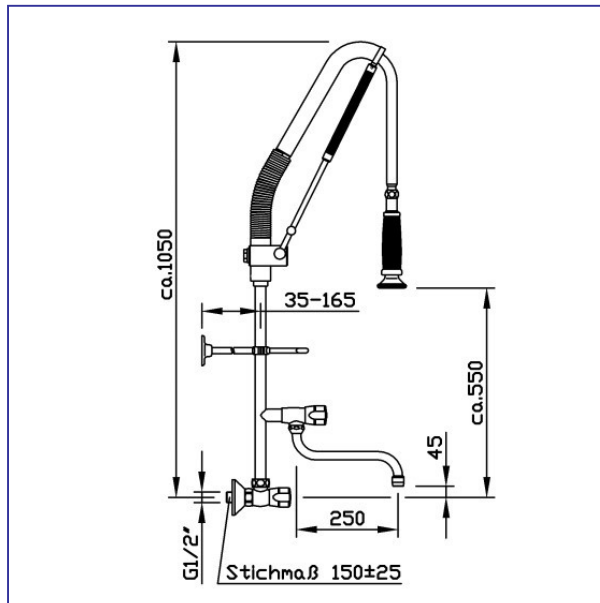


Technical Data Sheet

6537.02



Item: **Pre-rinse spray, chrome-plated**

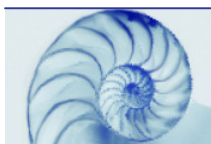
Item No.: **6537.02**

Description: **with wall mounted mixer and swivel nozzle,
with automatic pull**

- Non-return upper parts prevent a circulation of warm and cold water as well as the back siphonage of sewage. these fittings therefore comply to regulations for drinking water installations according to DIN 1988.
- with automatic pull, i.e., the valve opens when the hand spray is pulled downward
- hand spray with metal button spray, plastic mesh strainers
- upper part of hand spray can be swiveled to both sides
- wall socket 165 mm, can be shortened to 35 mm
- flow rate between 9 l/min and 15 l/min at 2 to 4 bar
- all solders are free from cadmium and lead
- all gaskets comply with KTW regulations (covering the use of plastics in drinking water, cold, warm and hot water applications) and the DVGW worksheet W 270

Danger warning: To prevent any damage by water, the upper parts of the mixer should be closed after business hours.
The pre-rinse spray units may not be used to clean sliding dishwashers. There is a risk of damaging the hose through pulling it too strongly.

Care: Cleaning agents with a high content of chloride or acid as well as high pressure cleaners should not be used.



**Perfekt in Form
und Funktion**

Gebr. Echtermann GmbH & Co.KG
Bertholdstraße 5
58644 Iserlohn
Deutschland

Telefon: +49 (0) 2371 / 9582 – 0
Telefax: +49 (0) 2371 / 52787
contact@echtermann.de
www.echtermann.de